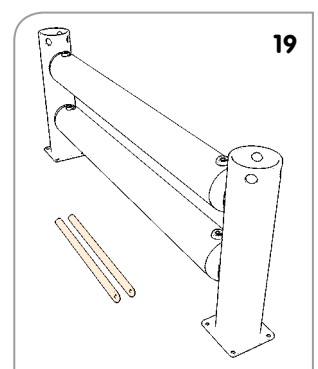
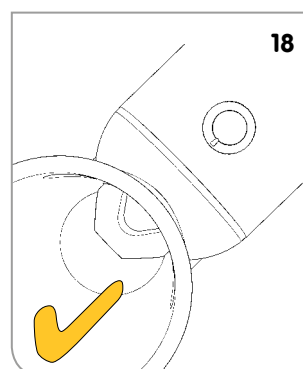
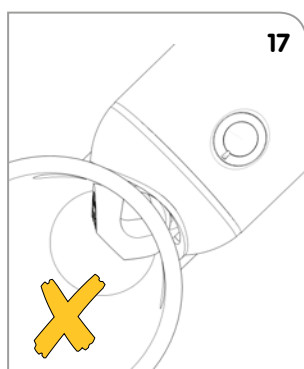
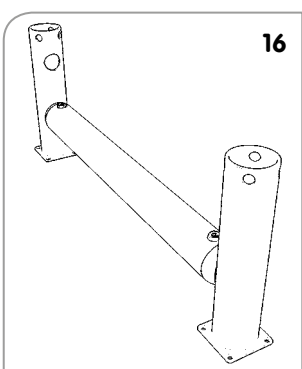
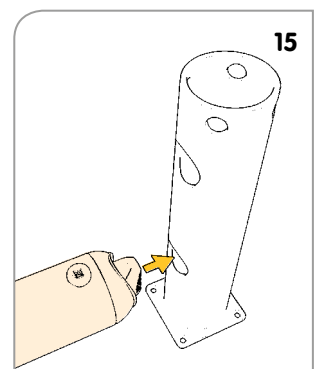
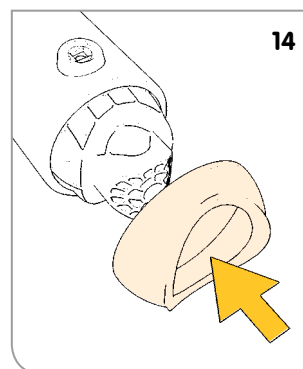
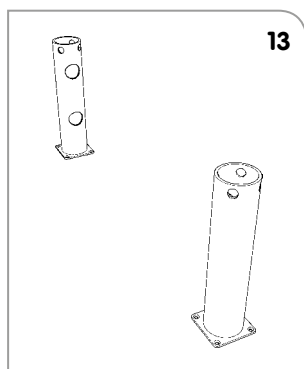
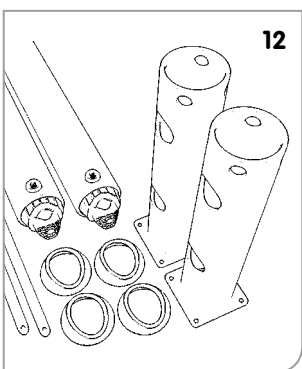
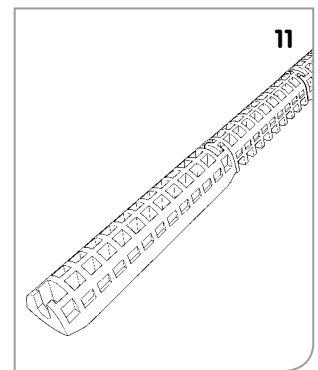
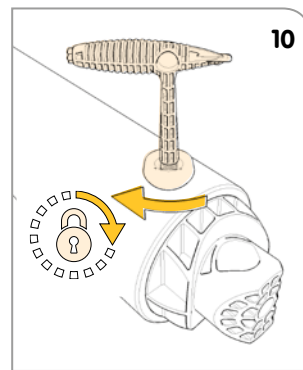
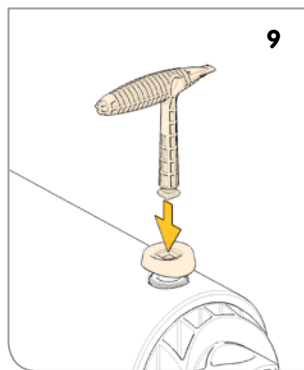
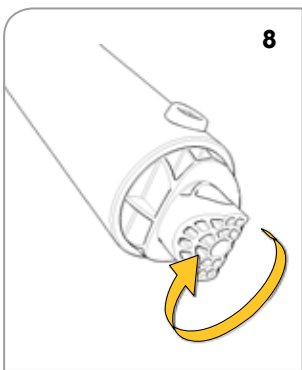
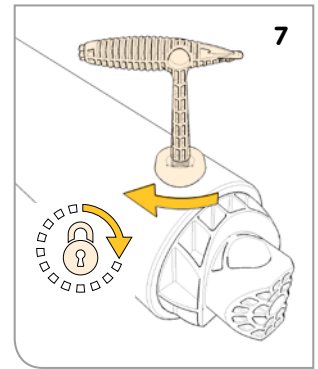
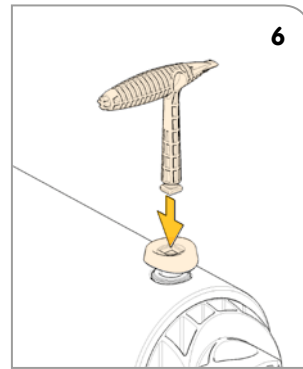
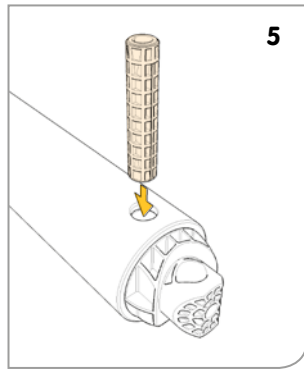
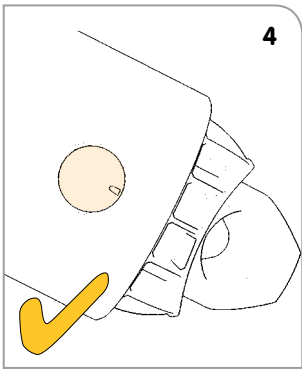
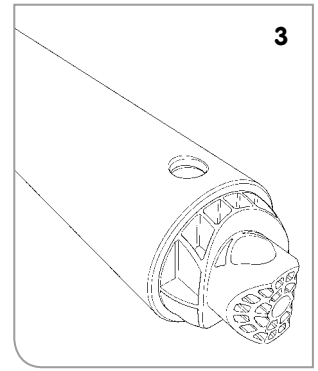
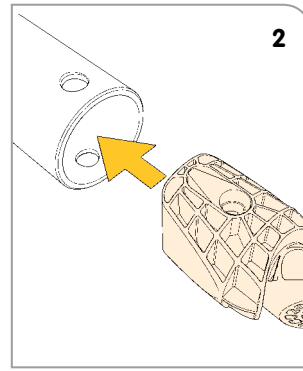
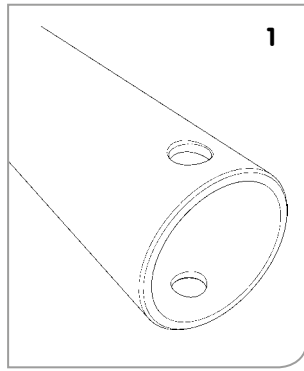
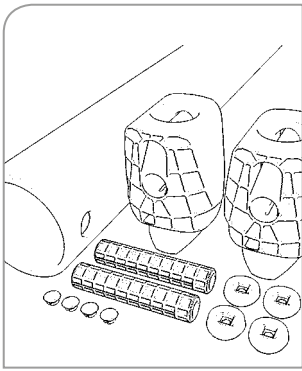
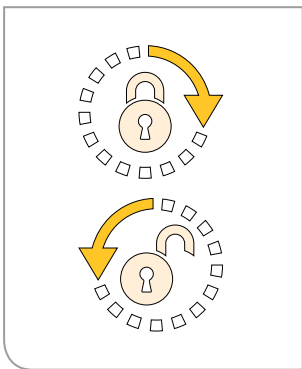
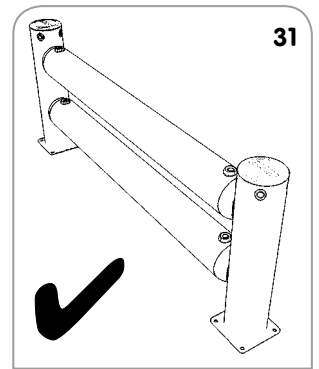
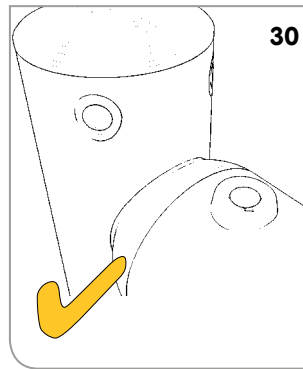
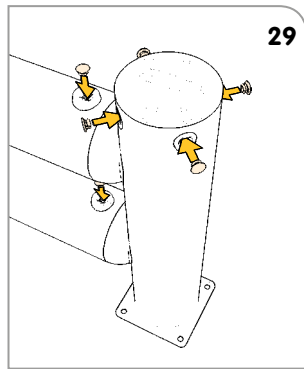
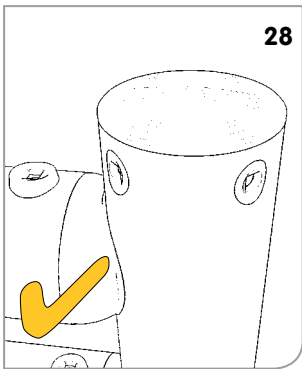
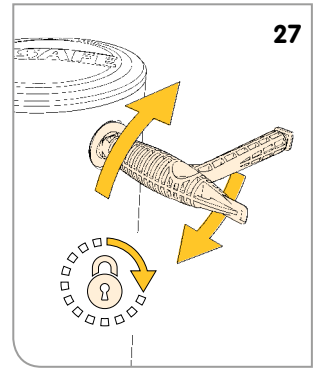
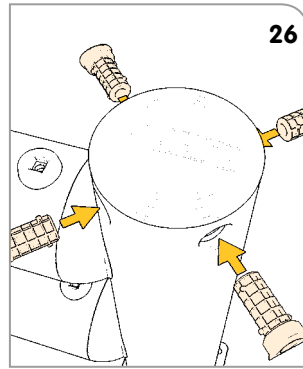
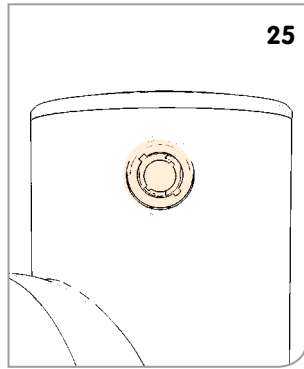
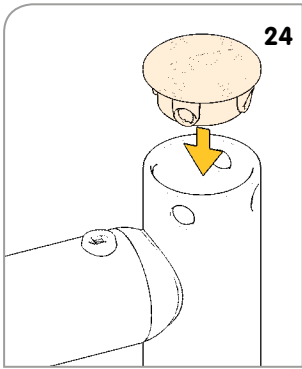
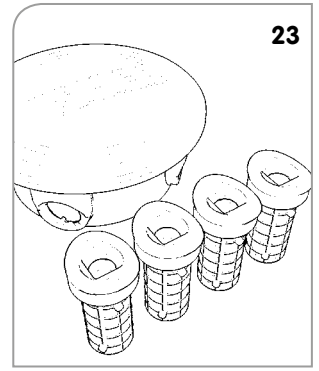
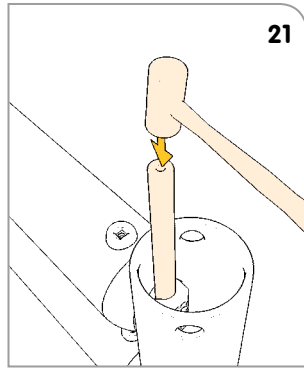
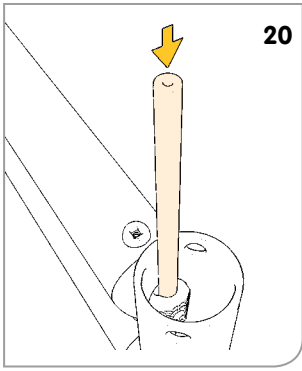
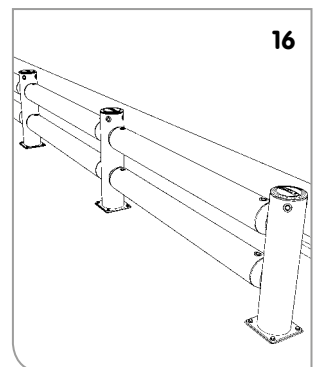
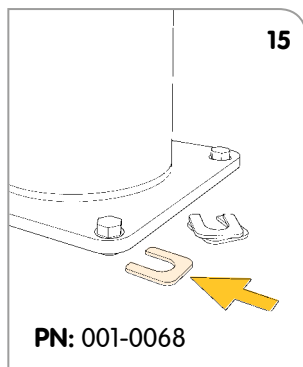
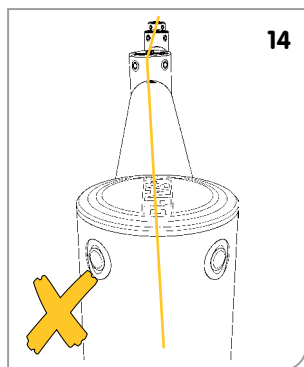
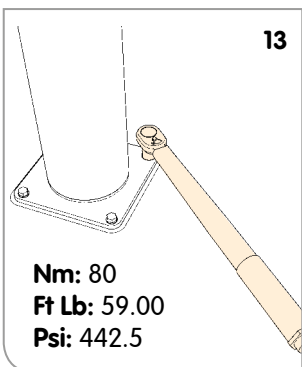
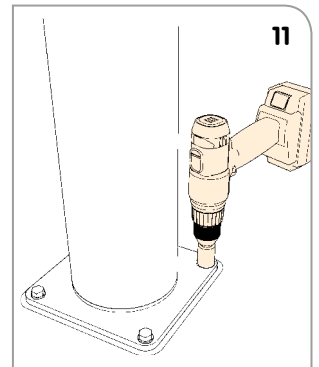
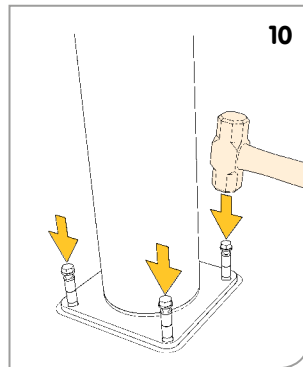
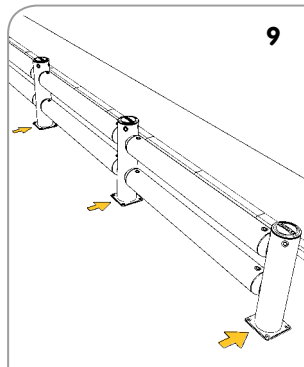
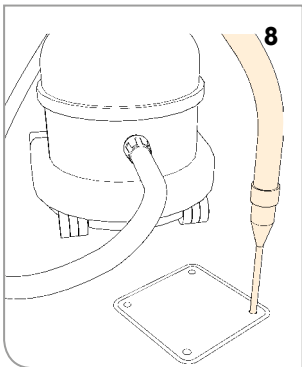
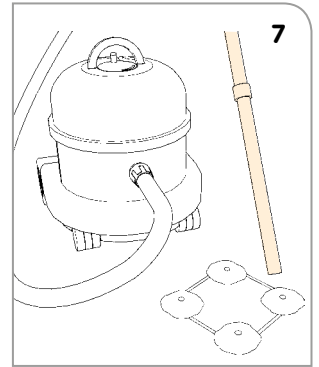
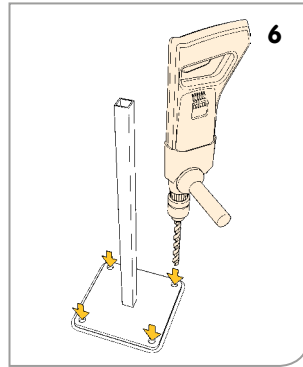
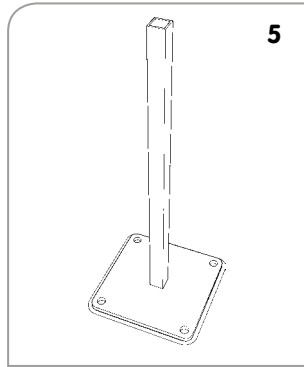
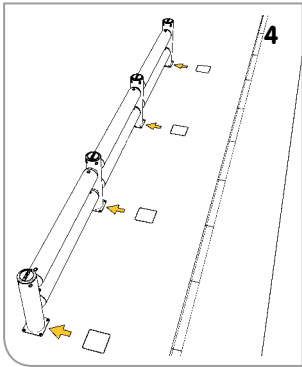
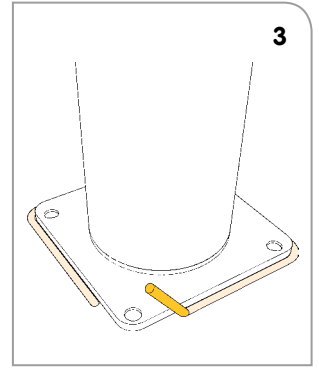
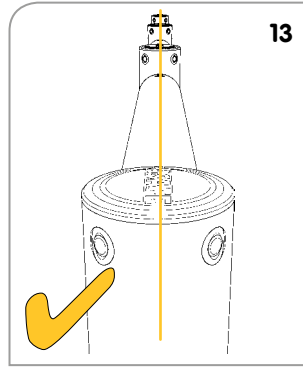
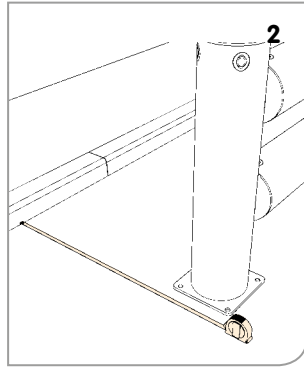
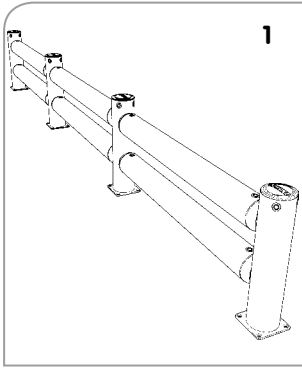


# Traffic Double-Rail iFlex Barrier







E: sales@asafe.com W: www.asafe.com